



Cool MF Series

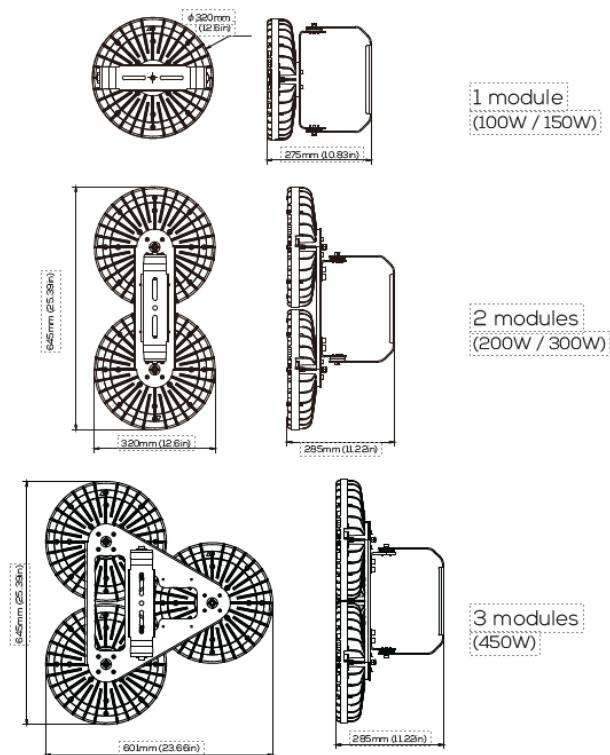
The Cool MF series is designed to withstand up to 194°F (90°C) ambient temperature. Made for harsh, extreme heat environments such as die-cast facilities, foundries, iron forges, steel mills, power generation, factories, and chemical plants. Offering exceptional efficacy of 160lm/W and low maintenance cost to meet the demand of hot industrial environments. From 16,000 to 72,000 lumen output, it ideally replaces 250W-1000W HID fixtures.

Certifications and Ratings

UL1598 Wet Location
UL 8750 LED Safety
CSA C22.2 No. 250.13-14
IP66/67
IK09



Dimensions



Specifications

Power	100/150/200/300/450 W
Beam Angle	110°
Lumen Output	16,000lm - 72,000lm
Driver Efficiency	≥ 90%
Voltage/Frequency	120/220/277/480V; 50/60hz
Power Factor	≥ 90% @120V
Surge Protection	6 KvA
Construction	Marine Grade Aluminum
Ambient Temperature	-40°F - 194°F (-40°C - 90°C)
DC Output Ripple & Noise	<200mVP-P
Lens Material	Tempered Glass
Hardware	Stainless Steel
Connection	3' cord
Mounting	Hanging/Yoke
Color Rendering Index	Ra>70
L70	20,000hrs@90°C, 30,000@80°C, 50,000hrs@70°C
Warranty	2/3/5 Year Fixture Warranty*

*Contact us for extended warranty information

Order Information

Cool MF Series

CMF

Fixture

CMF

100

Wattage

100 - 16,000 lm
150 - 24,000 lm
200 - 32,000 lm
300 - 48,000 lm
450 - 72,000 lm

L

Voltage

L- 120
E - 220
M - 277
H - 480

5K

CCT

5K Cool White

T5

Optic

T5

HR

Mounting

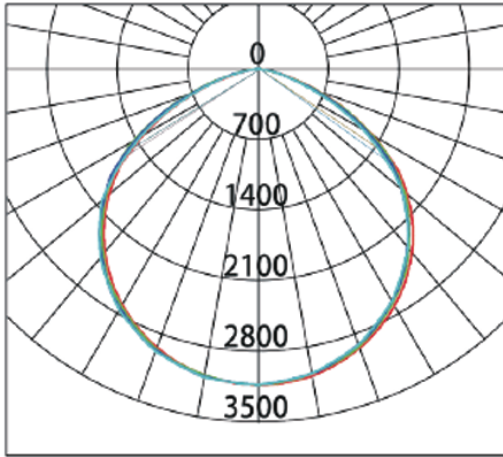
HR - Hanging Ring
HH - Hanging Hook
JB - Junction box

Accessories

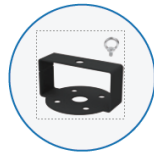
SC - Safety Cable

Photometrics

110°



TB7
U-Bracket



HBR
Malleable Hook
(1 module only)



HBH
Hanging Ring
(1 module only)

