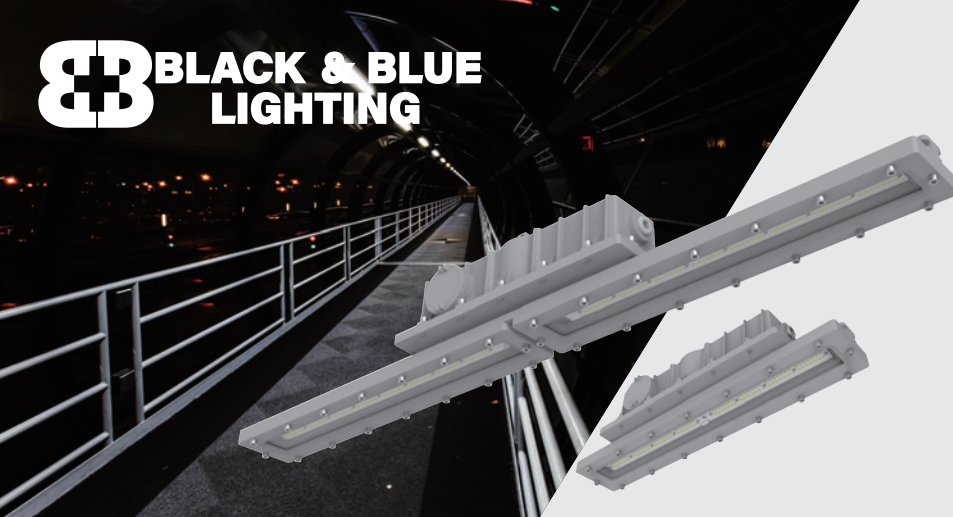


Built for the toughest explosive environments, the C1D1 Line Tuff light from Black and Blue delivers reliable illumination where flammable gases, vapors, or liquids may be present during normal operation, while its rugged construction stands up to thermal shock and heavy impact. The Line Tuff is designed for the purpose, and made to last.



### Compliance

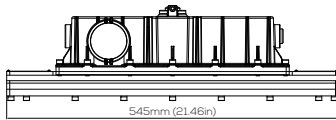
#### NEC/CEC Standard

- UL 844 Hazardous Locations
  - Class I Division 1, Group C, D
  - Class I Division 2, Group A, B, C, D

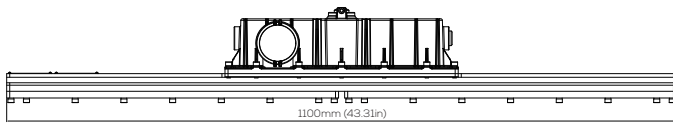
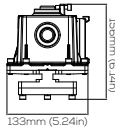
- CSA C22.2 No.137
- CSA C22.2 No.250.0
- UL 1598 Wet Locations
- UL 1598A Marine Outside Type (Salt Water)
- UL 8750 LED Safety
- IP66/67 | IK08 | 5G | NEMA 4X

### Dimensions

unit: mm(in)



2ft. 20W / 30W / 40W / 60W



4ft. 40W / 60W / 80W / 100W

### Technical Data

#### Electrical

Rated Power	20W/30W/40W/60W/80W/100W
Input Voltage	100-277, 347-480V/AC
Input Frequency	50/60Hz
Power Factor	> 0.95
Driver Efficiency	≥ 90%
DC output Ripple & Noise	< 200mVP-P

#### Optical

Lumen Output	3,400lm ~ 17,000lm
Luminous Efficacy (Lumens per Watt)	160-170 lm/W
Beam Angle	110°
Color Temperature	3000K 4000K 5000K
CRI	Ra>70

#### Environmental

Ambient Operating Temperature	-40°C~+65°C
Ambient Operating Humidity	10%~90% RH
Atmospheric pressure	86~106KPa

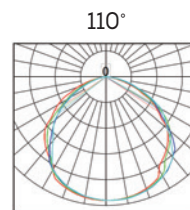
#### Technical

Lens Material	Tempered Glass
Mounting Options	Pendant / Ceiling / Wall / Pole Stanchion / Hanging
Cable Entries	3/4" NPT, 1-1/4" NPT
Net Weight	6.4kg(2ft) / 9.7kg(4ft)

### Warranty

10 year Fixture, 7 year driver  
Lumen Maintenance: L70 > 150,000 hours @ 25°C

### Beam Distribution

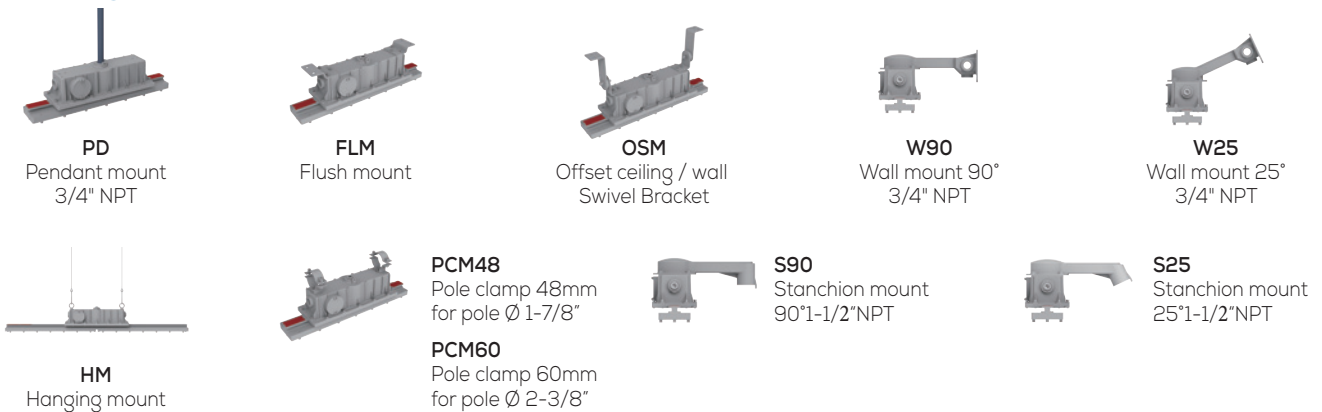


Ordering Information and Mounting Accessories

Model	Power	Voltage	Ex. Level	Optics	Color Temp	Lens	Mount Style	Color	Accessories
<b>LTL2</b> (2ft)	<b>20</b> - 3,400 lm (20W) <b>30</b> - 5,100 lm (30W) <b>40</b> - 6,800 lm (40W)	<b>L</b> - 100-277V/AC <b>H</b> - 347-480V/AC <sup>1</sup>	<b>1</b> - CID1	<b>110</b> - 110°	<b>3K</b> - 3000K <b>4K</b> - 4000K <b>5K</b> - 5000K	<b>CG</b> - Clear glass <b>DG</b> - Frosted glass	<b>PND</b> - Pendant mount (3/4" NPT) <b>CM</b> - Ceiling mount <b>OSM</b> - Offset ceiling / wall swivel bracket <b>HM</b> - Hanging mount <b>PCM48</b> - Pole clamp 48mm for pole Ø 1-7/8" <b>PCM60</b> - Pole clamp 60mm for pole Ø 2-3/8" <b>W90</b> - Wall mount 90° <b>W25</b> - Wall mount 25° <b>S90A</b> - Stanchion-90° (1-1/4" NPT) <b>S25A</b> - Stanchion-25° (1-1/4" NPT)	<b>GR</b> - Gray	<b>SC2</b> <b>SP20U</b> <b>SP20N</b> <b>CAB</b>
<b>LTL4</b> (4ft)	<b>60</b> - 10,200 lm (60W) <b>80</b> - 13,600 lm (80W) <b>100</b> - 17,000 lm (100W)								

<sup>1</sup> Only available for 60W/80W/100W (LTL2-60, LTL4-60, LTL4-80 or LTL4-100)

Mounting Options



Accessories

